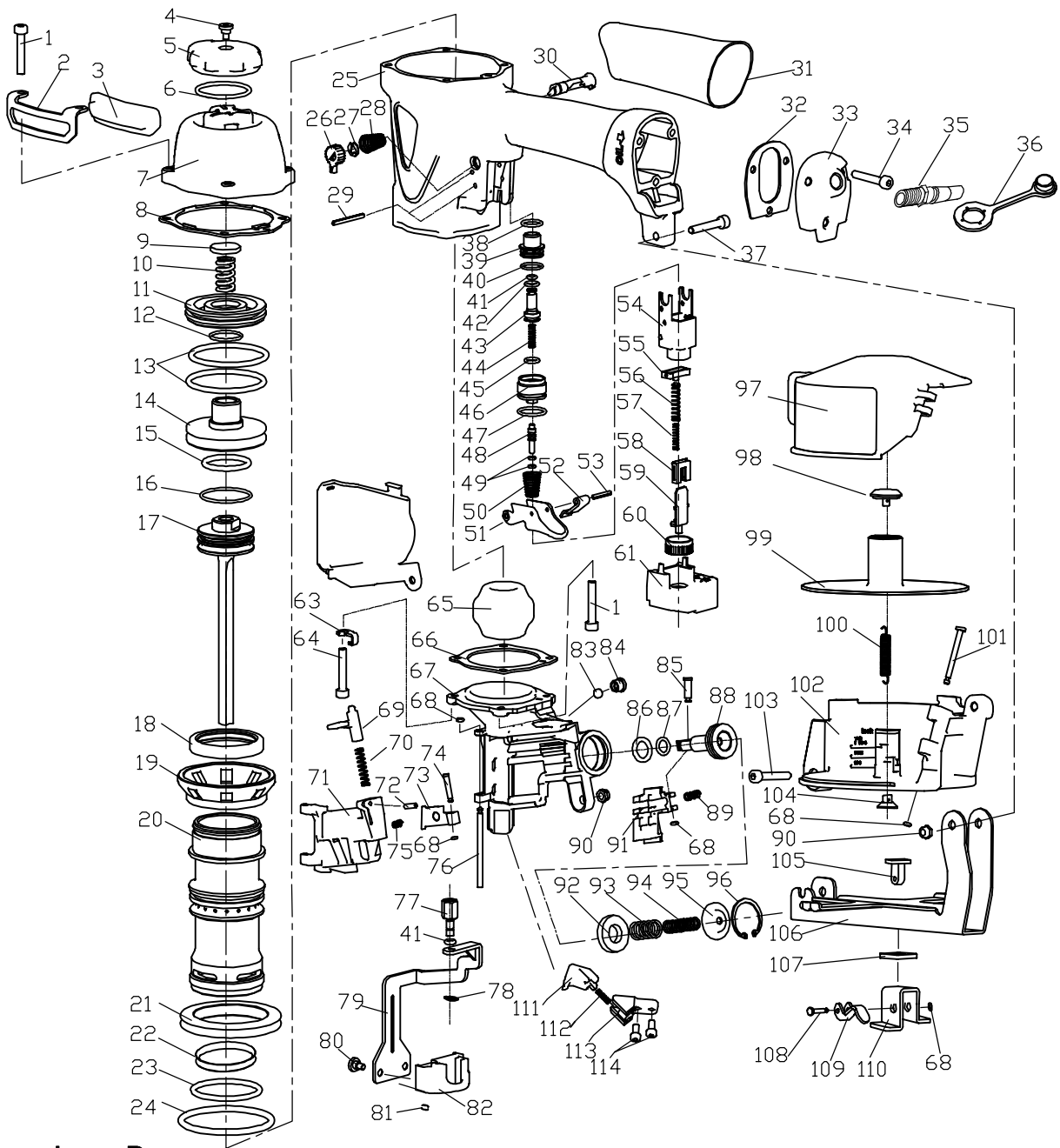


NuMax-SCN45



Wearing Parts:

Ref. No.	Name	Size	Total Quantity
12	O-Ring	20X2.65	1
13	O-Ring	50X3.55	1
16	O-Ring	33.5X3.55	1
17	Driver Unit		1
22	Seal		1
65	Bumper		1
86	O-Ring	20X2.65	1
87	O-Ring	10X2.65	1